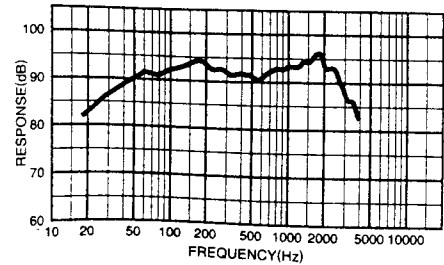


# Technical Specifications

	SYMBOL	UNIT	KFC-WF302
Nominal Impedance	Z	ohms	4
DC Resistance	Revc	ohms	3.6
Voice Coil Inductance	L <sub>evc</sub>	mH	1.5
Piston Area	S <sub>d</sub>	Sq·m	0.0491
Force Factor	BL	T·m	12.2
Volume Acoustic Compliance	V <sub>as</sub>	liter	49.8
		Cu·ft	1.76
Moving Mass	M <sub>ms</sub>	g	111.7
Resonant Frequency	F <sub>s</sub>	Hz	38.5
Mechanical Q Factor	Q <sub>ms</sub>		11.13
Electrical Q Factor	Q <sub>es</sub>		0.69
Total Q Factor	Q <sub>ts</sub>		0.65
Peak Power	W	Watts	500
Peak Excursion	X <sub>max</sub>	mm	2.75
Displacement		CC	3980
		Cu·ft	0.141
Mounthing Depth		in	5-5/16
Weight Of Magnet		oz	43
Voice Coil		in	2.6

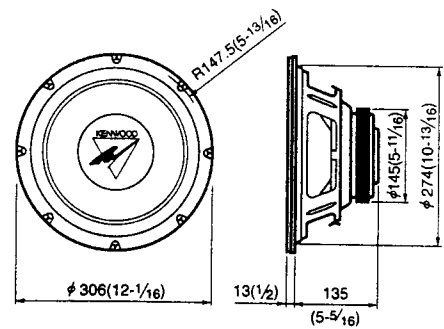
## Frequency response

KFC-WF302



## Dimensions

KFC-WF302



## Recommended Enclosures

	UNIT	KFC-WF302
Width (W)	in (mm)	17 (432)
Height (H)	in (mm)	23.5 (597)
Depth (D)	in (mm)	12.5 (318)
Port Diameter (d)	in (mm)	3 (76)
Port Length (l)	in (mm)	4 (102)
Mounthing Hole Diameter	in (mm)	10-7/8 (276)
Displacement	Cu·ft	0.141
Box Volume	Cu·ft	2

Above dimensions (W, H, D) are based on 3/4 inch thickness board.

